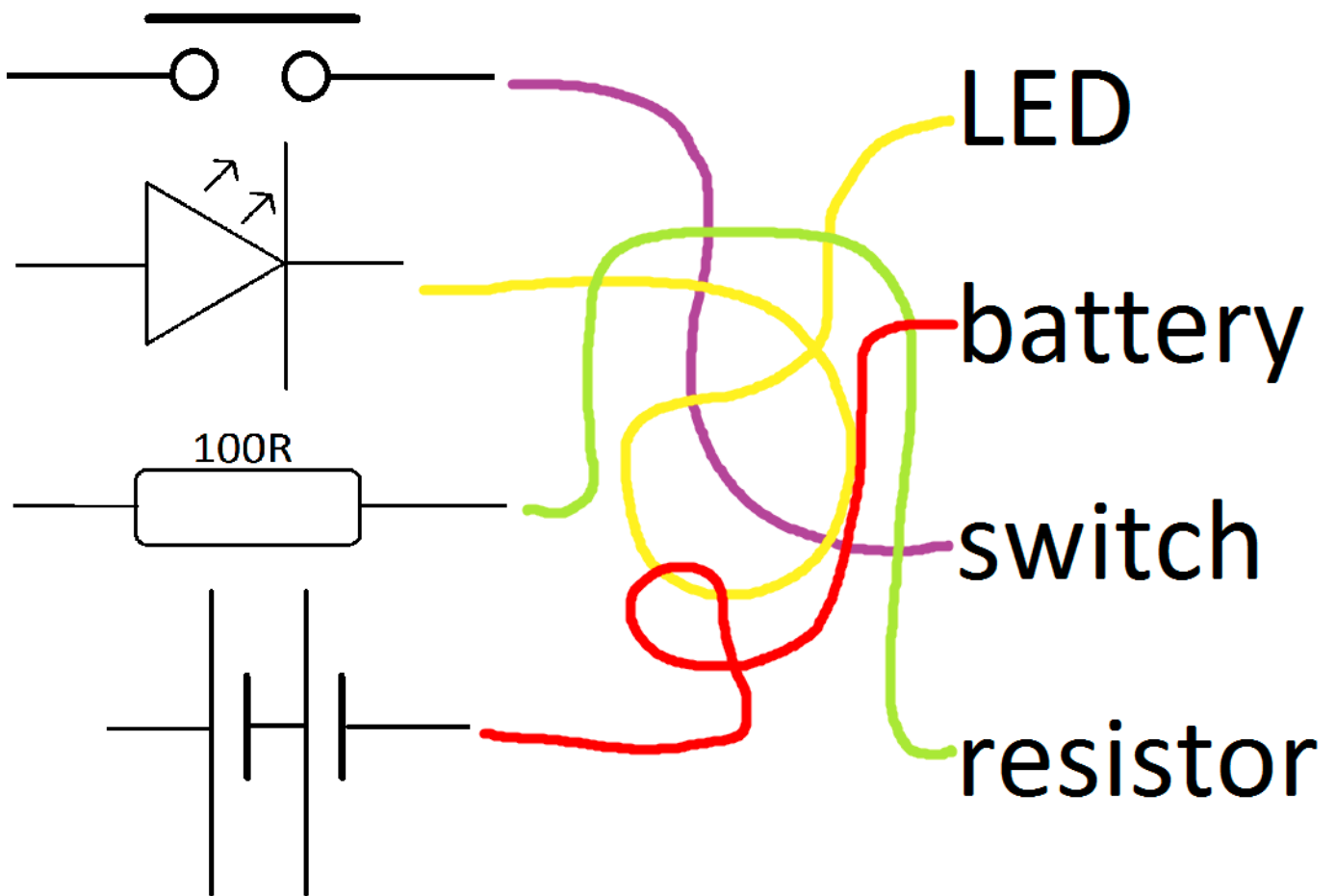


Untangle the lines to find the names of these symbols



Can you unscramble the words?

